

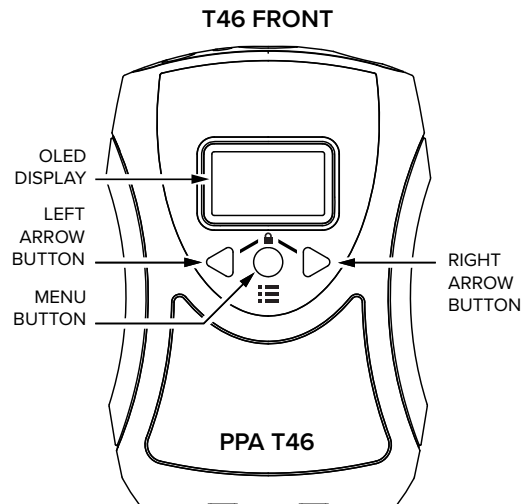
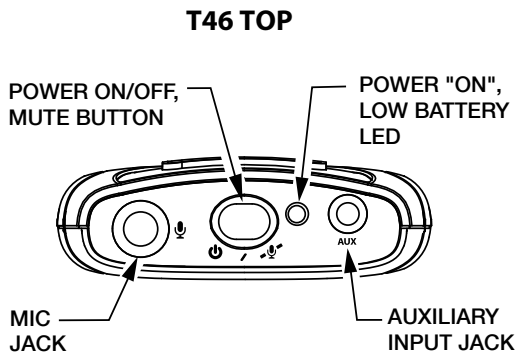
# PPA T46

## Personal PA® Body-Pack Transmitter



The T46 transmitter will broadcast a speaker's voice on one of seventeen available channels, 72-76 MHz, to listeners using an R37, R37-8, or R38 receiver. The unit features an easy-to-read OLED screen, convenient menu control buttons, flexible mic and auxiliary inputs, push-button on/off/mute controls, channel lock and selectable compression. Lightweight and portable, the PPA T46 has a transmission range of up to 150 feet (46 m). It is ideal for providing hearing assistance for students in the classroom, tour group participants, employee training, business meetings and more.

# PPA T46 Personal PA® Body-Pack Transmitter



<b>Dimensions:</b>	4.1" L x 2.8" W x 1.1" D (104 mm x 71 mm x 28 mm)
<b>Weight:</b>	2.6 oz (74 g), no batteries
<b>Color:</b>	Black/Silver
<b>Enclosure Material:</b>	Shatter-resistant PC/ABS plastic with textured scratch-resistant aluminum faceplate
<b>Battery Type options:</b>	Two (2) AA 1.5 V non-rechargeable Alkaline batteries (BAT 001-2), 75 mA nominal current drain, up to 30 hours battery life Two (2) AA 1.5 V NiMH rechargeable batteries (BAT 026-2), 75 mA nominal current drain, up to 20 hours battery life per charge, recharges in 14–16 hours, uses CHG 3502 or CHG 3512 Charger
<b>Operating Frequencies:</b>	Selectable, 17 channels, 72.1 – 75.9 MHz*. Switchable 8 or 17 Channel Mode. (8-channel mode setting corresponds with receiver channels)
<b>Stability:</b>	± .005%, frequency synthesized, crystal reference, PLL
<b>Modulation:</b>	Wide-band FM, 75 kHz peak, 75 µS pre-emphasis
<b>RF Output:</b>	80 mV/m at 3 m (max. allowed by FCC rules)
<b>Frequency Response:</b>	180 Hz to 13 kHz, ± 3 dB at 1% max. THD
<b>Signal-to-Noise Ratio:</b>	65 dB (typical) transmitted
<b>Transmit Antenna:</b>	Integral with microphone cord
<b>Microphone:</b>	Electret type, 3.5 mm mono plug, 39" cord, see Compatible Microphones for a list of approved options
<b>External Display:</b>	OLED for status and menu information. Status: Ch/Freq, Mic Audio Level, Auxiliary Input Audio Level, Battery Status, Mic Mute, Channel Lock, Dual-Preset mode. Menu: Ch/Freq display mode select, Volume, Aux Input, Compression, 17 or 8-channel mode, screen time out, screen brightness, restore default settings
<b>External Controls:</b>	Momentary push button: push and hold 3 seconds for power On/Off, push and release for microphone mute On/Off. left, right and menu buttons for accessing and changing transmitter settings. Battery type switch (Alkaline or NiMH) located behind the battery compartment door
<b>External Indicators:</b>	Power LED - Green, flashes when battery is low
<b>Mic Input:</b>	3.5 mm mono jack with electret mic bias, adjustable gain with 25 dB range
<b>Aux Input:</b>	2.5 mm stereo jack, adjustable gain with 60 dB range
<b>Audio Compression:</b>	1:1 (off) or 2:1 (on) selectable in menu
<b>Compatible Microphones:</b>	MIC 044, MIC 090, MIC 100
<b>Compatible Receivers:</b>	PPA R37, PPA R37-8, PPA R38
<b>Approvals/Directives:</b>	FCC, Industry Canada, RoHS3, WEEE
<b>Warranty:</b>	Limited Lifetime Plus Warranty, 90 Days on most accessories.

**Note:** FCC regulations, section 15.21, requires the user to comply with the rules of transmitter operation. Any changes or modifications made by the user not expressly approved for compliance may result in the loss of all privileges and authority to operate the equipment.

**Note:** Specifications subject to change without notice.

# PPA T46 Personal PA™ Body-Pack Transmitter

## Architectural/Engineering Specifications

The PPA T46 is a wide-band body-pack transmitter and shall operate on 17 selectable frequencies between 72MHz and 76MHz. It shall operate for up to 30 hrs with two AA Alkaline batteries and be housed in a black plastic enclosure with an aluminum faceplate. It shall have battery recharge ability utilizing Williams Sound drop-in chargers.

The T46 shall have a 3.5 mm microphone jack and a 2.5 mm auxiliary audio input jack. The microphone cord will serve as the transmitting antenna. The T46 shall have three buttons on the front to access channel select, master and aux gain, compression on/off, channel lock and screen adjustments. There shall be an OLED screen on the front of the T46 displaying current operating status and menu information.

The T46 shall have the ability to operate in dual channel mode whereby the user can switch between two different transmitting channel presets, each with its own set-up parameters (channel, master volume, aux volume).

There shall be a power switch which also serves as a microphone mute control on the top bezel of the transmitter.

The T46 shall have wide band FM modulation at 75 KHz peak with a frequency response of 180 Hz to 13 KHz.

This transmitter shall be the Williams AV model PPA T46.

### Domestic Sales

Williams AV  
10300 Valley View Rd  
Eden Prairie, MN 55344  
Ph: 800-328-6190 / 952-943-2252  
FAX: 952-943-2174  
Email: [info@williamsav.com](mailto:info@williamsav.com)  
Web: [www.williamsav.com](http://www.williamsav.com)

### International Sales

International Sales Department  
Williams AV  
10300 Valley View Rd  
Eden Prairie, MN 55344 USA  
Phone: +1 952 943 2252  
Fax: +1 952 943 2174  
Email: [info@williamsav.com](mailto:info@williamsav.com)  
Web: [www.williamsav.com](http://www.williamsav.com)

**WILLIAMS AV**  
[info@williamsav.com](mailto:info@williamsav.com) / [www.williamsav.com](http://www.williamsav.com)  
800-843-3544 / INTL: +1-952-943-2252